



NEROD FS

General description:

NEROD FS is a jammer efficient against 98% of commercial drones.

The jamming covers several frequency bands and is effective against frequency hopping.

Defined as a monobloc ambidextrous rifle embedding directive antennas, jamming modules and a battery.

Easy to use and intuitive: like a classic rifle, targeting is done with the aimpoint and jamming is activated by pulling the trigger.

NEROD FS is stealth: during the jamming, the grip will slightly and intermittently rumble, no switches lights up. In case of failure, rumbles will be disabled. Then, a diagnosis can be established simply by pressing the status button.

This system is completely harmless for users according to the recommendations for use (refer to manual).



Figure 1: NEROD FS

Features:

- ◆ Ability to enable/disable jamming on one, several or all frequency bands
- ◆ No interference with nearby frequency bands used by other applications
- ◆ Effective against frequency hopping
- ◆ Effective as soon as the trigger is pulled
- ◆ Customization via 3 Picatinny Rails
- ◆ Fast frequency selection: few seconds
- ◆ Made in France



NEROD FS

Technical Specifications :

- ◆ **Jamming frequencies:** Several frequency bands covering up to 98% of commercial drones
400 MHz / 800 MHz / 915 MHz / 2.4 GHz / 5.8 GHz / GNSS
- ◆ **Antennas :** Directive
- ◆ **Autonomy:** 1h in operation
- ◆ **Distances:** Up to 2000 m depending on the configuration
- ◆ **Mechanical specifications:** Jammer dimensions: 112.4cm x 19 cm x 36 cm
Jammer weight (without accessories and battery) : 6.5 kg
- ◆ **Environment:** IP 54 Certified
- ◆ **Transport:** Pelicase PC 1770 (with protective foam)
Dimensions: 145.8 cm x 46.9 cm x 28.5 cm
Weight (Case +Jammer + Accessories): 25 kg
Splash, shock and dust resistant
- ◆ **Battery:** BT-707 57BV Lithium Ion rechargeable (24 V, 3.4 A.h)
Charging time: 3 - 4 hours
2 batteries and a fast charger are supplied
UN 38.3, MIL-PRF-32052/1 et IEC 62133 Certified

◆ **Accessories:**

Accessory	Quantity
Aimpoint M4	x1
Grenadière	x2
3-points Strap	x1
Straight handle	x1
Angled handle	x1
Foldable transport handle	x1
Pelicase PC1770	x1
Battery	x2
Fast charger	x1



Figure 2 : Battery



NEROD FS



Quick battery replacement (military standard) for extended use of the NEROD FS

Figure 3: Battery hatch



Figure 4: HMI Description

Legend:

1. Frequency bands select buttons
2. Status button
3. Battery warning light
4. Defect warning light



Réf : MC2002263

NEROD FS

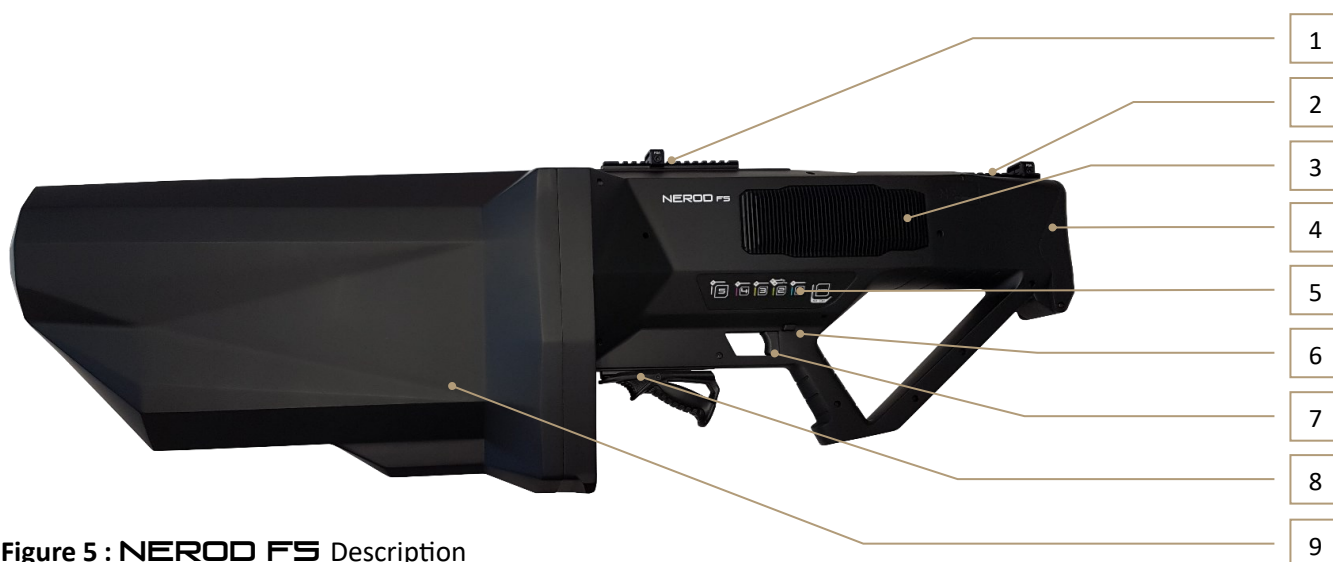


Figure 5 : NEROD FS Description

Legend:

1. Picatinny Rail for accessories (Grenadière – Aimpoint M4 and / or foldable carry handle)
2. Picatinny Rail for accessories (Grenadière)
3. Heatsink
4. Battery hatch
5. Command Interface
6. Safety latch
7. Trigger
8. Picatinny Rail for accessories (angled handle or straight handle)
9. Antennas bloc



NEROD FS



Figure 6 : NEROD FS Safety latch



NEROD FS

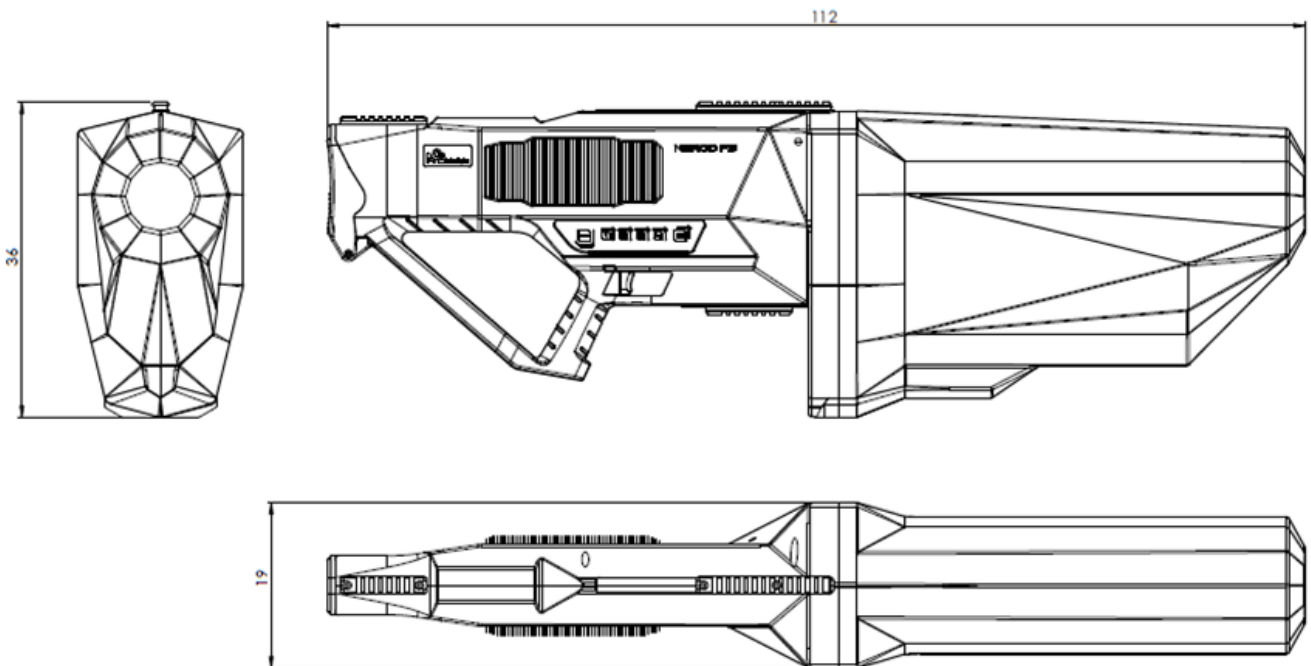


Figure 7: NEROD FS Dimensions